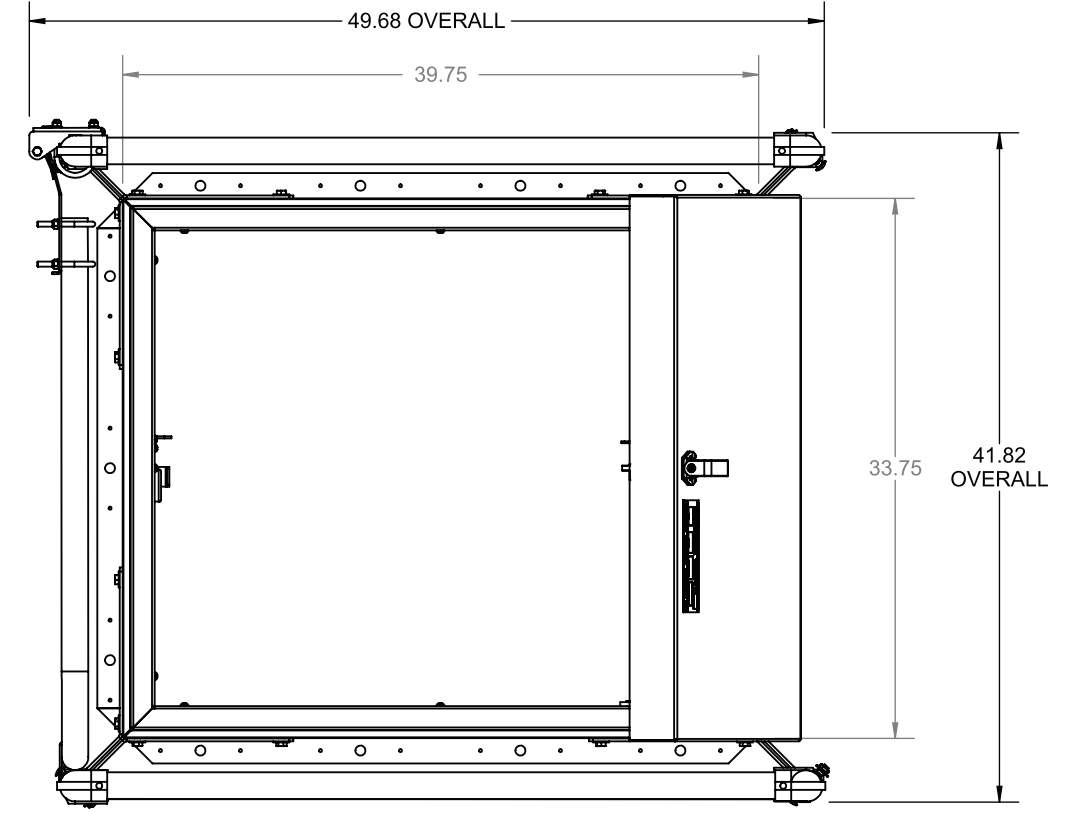
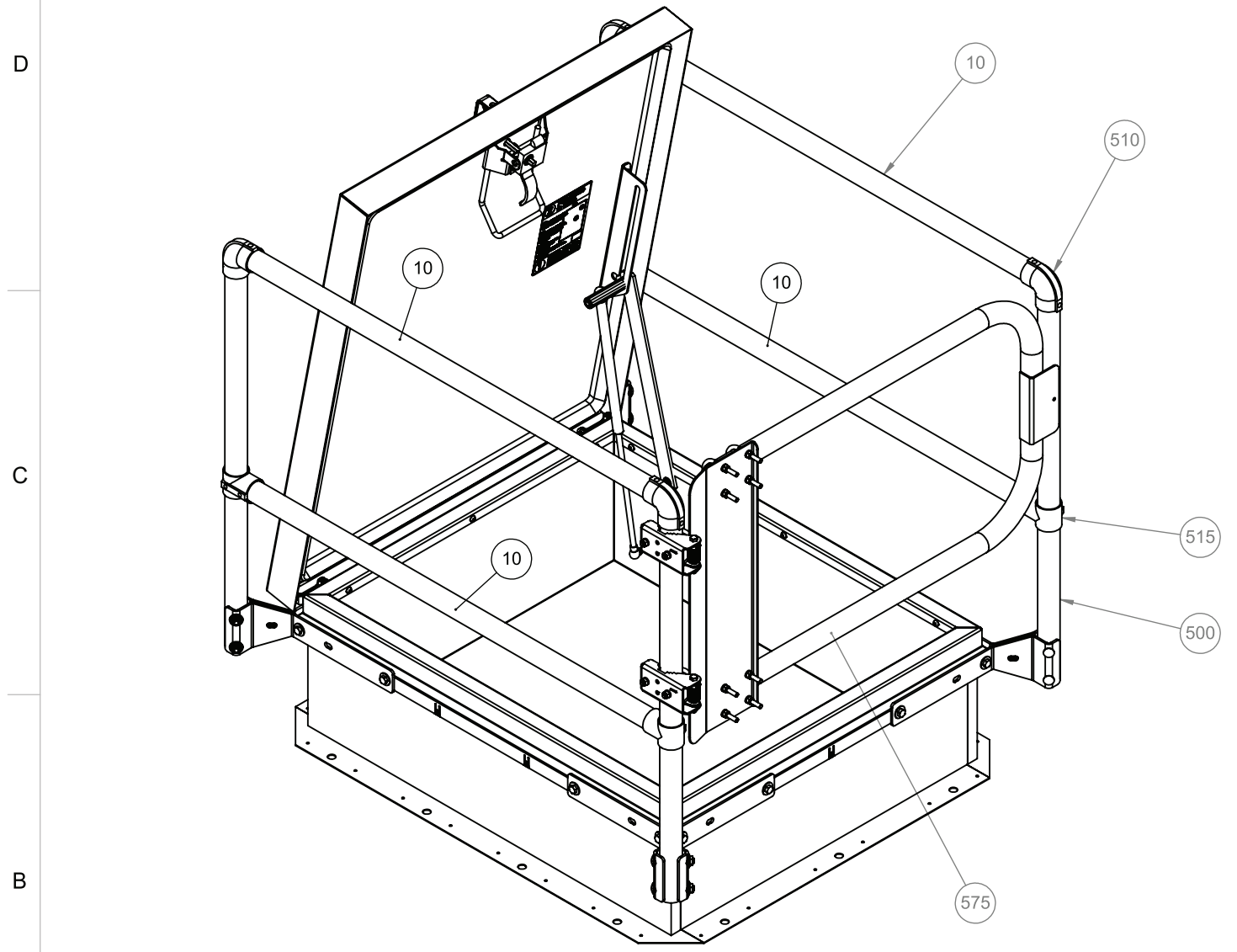


8 7 6 5 4 3 2 1

ITEM NO.	PART NUMBER	DESCRIPTION	QTY.
10	27496-43.75-Y	RAIL, 1-1/4" X 43.75L, ALUM	4
500	27180-A-Y	PKG, CORNER POST, ALUM	4
510	27185	FTG, ELBOW,	4
515	27188	FTG, TEE,	4
575	SRCA-Y-GATE-30	GATE, 30,	1



SPECIFICATIONS

RAILS, POSTS: 6061 T6 1 1/4" I.D. SCH 40

GATE: 1 1/4" TUBULAR ALUMINUM SELF CLOSING WITH COIL SPRING, ZINC PLATED

COUNTERFLASH MOUNTING BRACKETS: 3/16" ZINC PLATED STEEL FASTENED TO STEEL BACKING PLATE

BOLTS: HEX HEAD BOLTS 3/8"-16 x 3/4" GRADE 5 ZINC PLATED

RAILING FITTINGS AND PLUGS: MANUFACTURER'S STANDARD CAST WITH SET SCREW HOLD

FITS HATCH SIZES UP TO 36" X 30"

CERTIFICATIONS: MEETS OSHA 29 CFR 1910.28 AND 1910.29 REQUIREMENTS

FINISH: YELLOW POWDER COAT PAINT

SPECIAL LABEL PN 3113-TB

TBSRCAY36X30FG



TITLE:
Safety Railings for Roof Hatch
36x30, Front Exit, Sngl Door, TRI-BUILT
Aluminum, Gate, Safety Yellow Pwd,

NAME	DATE	SIZE	DWG. NO.	REV
DRAWN SJB	TODAY	B	TBSRCAY36X30FG	A
RELEASED DWO	5/9/2023	WEIGHT: Weight		SHEET 1 OF 1

8 7 6 5 4 3 2 1